

COLMAN

ENGINEERED AIR DISTRIBUTION

SUPPLY VALVES MODEL AOOK

AOOK Supply Valves are an aesthetically pleasing terminal device which combine good appearance with accurate control over supply air volumes. The careful aerodynamic and acoustic design of the unit ensures low sound levels even at high pressure drop settings.

These valves are manufactured from high quality sheet steel with a RAL 9010 finish and can be easily installed with the aid of the mounting ring, which is supplied with sealing gasket with every unit.

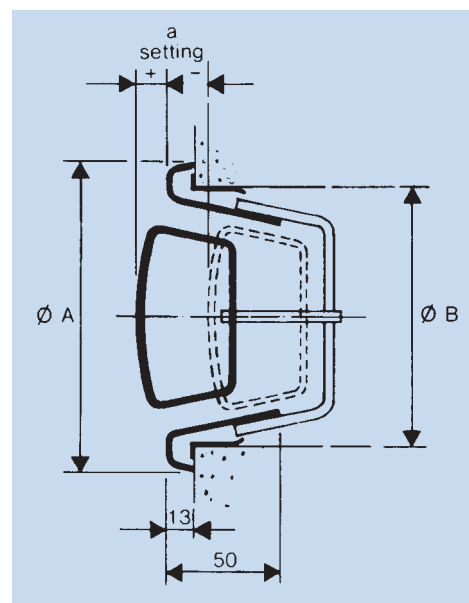
These units can be used for toilet supply, or any point requiring an accurate and easily set air volume.

Please contact your local sales office.

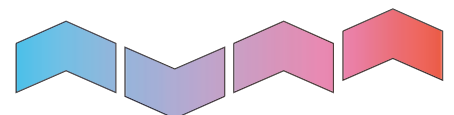
Plenum boxes are not supplied.



AOOK	ØA	ØB	Weight kg
100	140	99	0.3
125	165	124	0.4
160	200	159	0.6
200	250	199	0.9



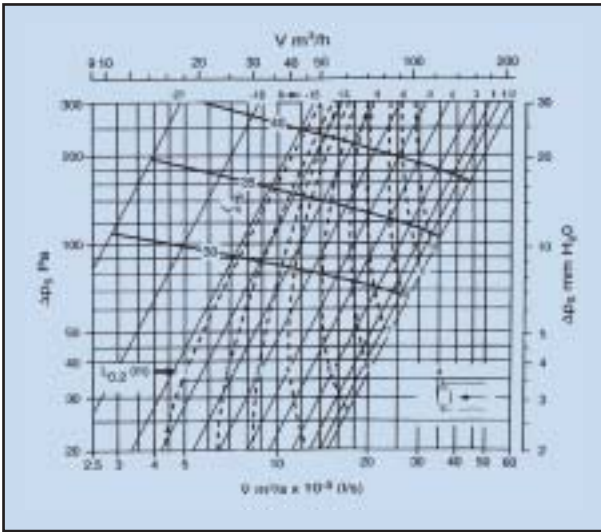
A
SERIES



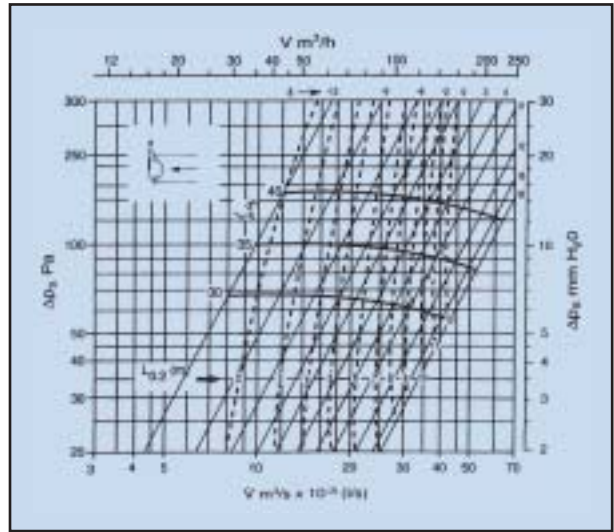
Performance Data

Supply Control Valve

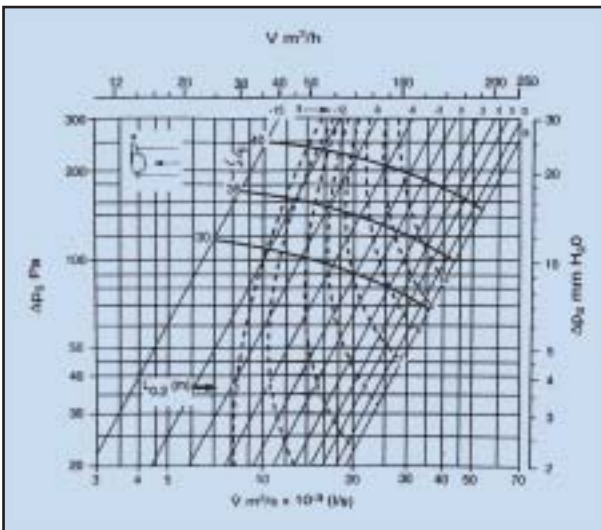
Model AOOK 100



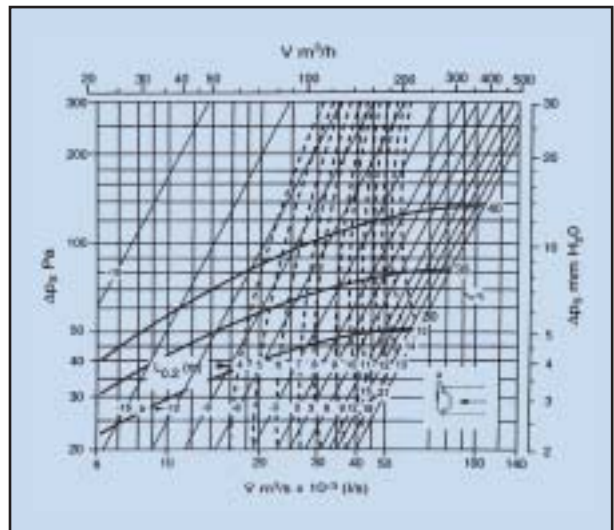
Model AOOK 160



Model AOOK 125



Model AOOK 200



Also available:
A00J Exhaust Valves — See separate sheet.

ORDER CODES

Supply Valve

AOOK + (Diameter)

Colour = RAL 9010



Air Distribution and Air Handling
Oldfields Business Park
Birrell Street, Fenton
Stoke-on-Trent ST4 3ES
Telephone: +44 (0)1782 599995
Facsimile: +44 (0)1782 332092
email: colman.moducel@eaton-williams.com



Station Road, Edenbridge
Kent TN8 6EG, England
Telephone: +44 (0)1732 866055
Facsimile: +44 (0)1732 869626
www.eaton-williams.com